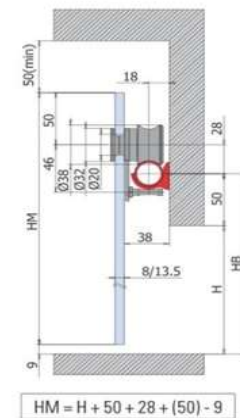
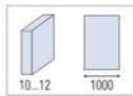


SYSTÈME COULISSANT 1 et 2 Vantaux
GAMME DESIGN

Porte verre trempé, pose apparente au mur

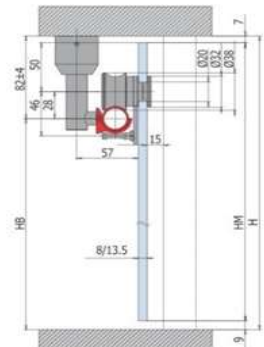


CDL-6100



$HM = H + 50 + 28 + (50) - 9$

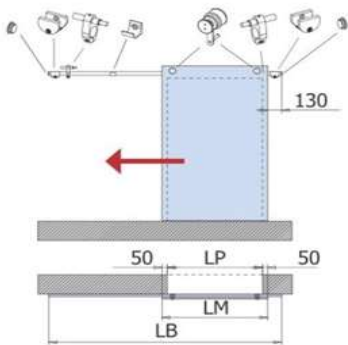
Con supporto pla171e (optional)
 With support pla171e (optional)
 Mit Deckenverbinder pla171e (optional)



$HM = H - 7 - 9$

CDL-6100 SET 1 FIX

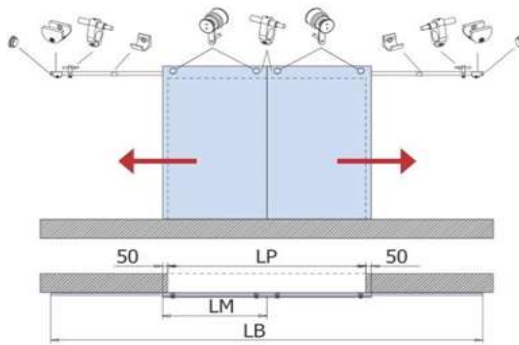
- Set per 1 anta scorrevole, fissaggio a parete
- Sliding door set, wall installation
- Schiebetürset für 1 flg, Wandmontage



$LM = LP + 100$
 $HB = H + 50$

CDL-6100 SET 2 FIX

- Set per 2 ante scorrevoli, fissaggio a parete
- Sliding doors set, wall installation
- Schiebetürset für 2 flg, Wandmontage



$LM = LP + 100$
 $HB = H - 82$

LAVORAZIONE VETRO
GLASS PREPARATION
GLASBEARBEITUNG

